

Micro Speaker

Model: OSR1511EA-2.5TS1.0W6A-R



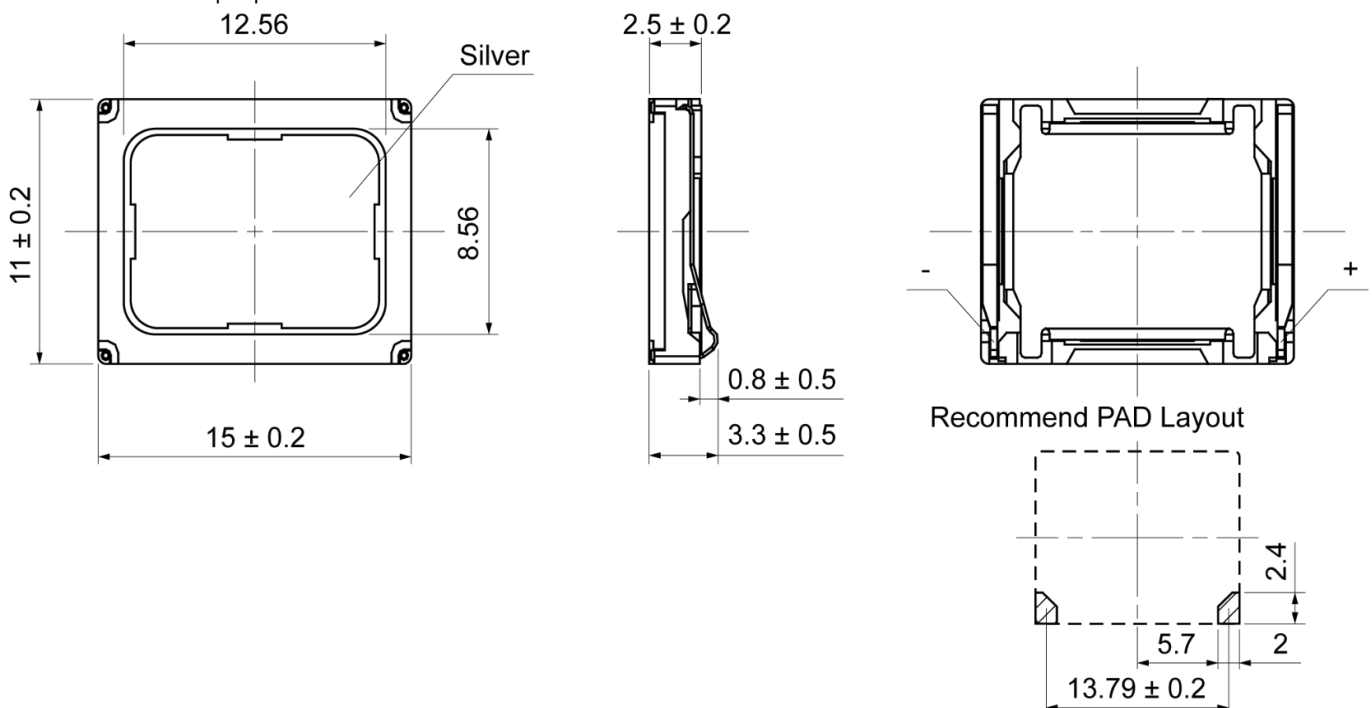
ELECTRICAL SPECIFICATIONS

	Condition	Parameter	Unit
Sound Pressure Level	at 1.0W, 10cm [at 2.0KHz] in 1cc box	93 ± 3	dB
Impedance	at 2.45V, 2000Hz	6 ± 20%	Ω
Rated Input Power		1	W
Max Input Power		1.2	W
Resonant Frequency (Fo)	at 2.45V, 10cm, in 1cc box	900 ± 20%	Hz
Frequency Range		Fo ~ 20000	Hz
Buzzer & Rattles	not be audible at sine wave between 200 ~ 2KHz	2.45	V
Operating Temperature		-20 ~ 70	°C
Magnet		Nd-Fe-B	
Frame Material		PBT	
Cone Material		PEEK	
Weight		1.5	g

MECHANICAL DRAWING

Dimensions in mm

Tolerance ±0.2mm Except Specified



Micro Speaker

Model: OSR1511EA-2.5TS1.0W6A-R

FREQUENCY RESPONSE CURVE

Testing Condition: 2.45Vrms / 10cm / 1cc box

